

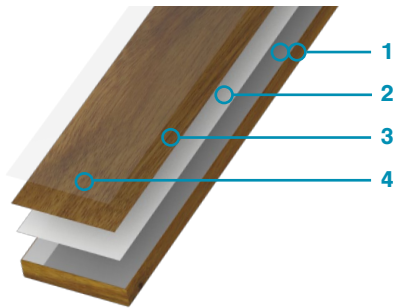
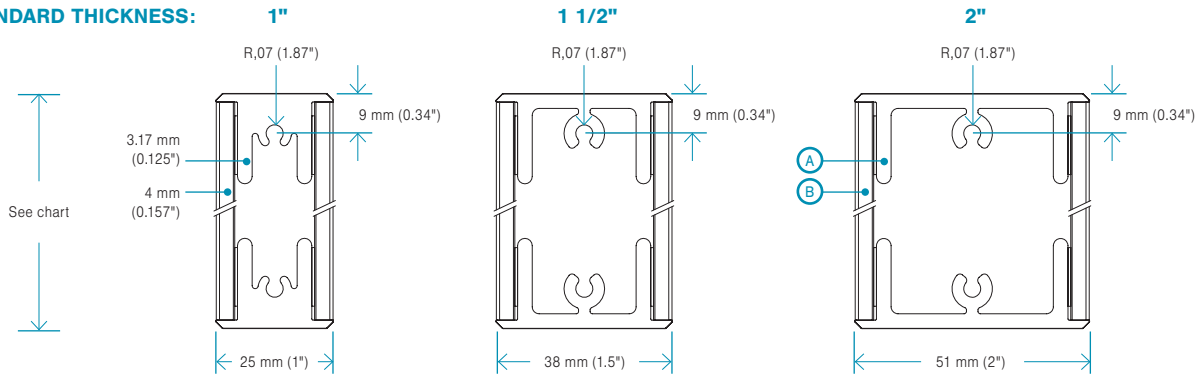
TECHNICAL DATA SHEET

Aluminum siding – MAA Series

# Architectural battens



STANDARD THICKNESS:



**1. ALUMINUM**

- A) 6063-T5 Aluminum extrusion 0.125" (3.17 mm) thick, recognized as the industry's first choice for its exceptional durability.
- B) Aluminum lattice composite panel (ALCP) 0.157" (4 mm) thick. Can be cut to the desired width and material 2.5x lighter than aluminum.

**2. PRIMER COAT**

Specially formulated primer coat ±1.2 mils (30.48 µm) thick assures optimal adhesion between aluminum and ink.

**3. HD PRINTING**

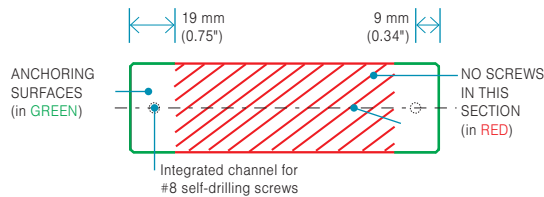
High-definition digital inkjet print ±1 mil (25.4 µm) thick of a wide range of textures with outstanding color variations.

**4. CLEAR COAT**

A protective clear coat ±1.2 mils (30.48 µm) thick is applied to provide long-term protection against fading.

**MOUNTING DETAILS**

When attaching to walls, floors or ceilings, **ALWAYS attach the batten through the extrusions on each side** (shown in GREEN below). **Warning: the batten must never be fixed in the central section** (in RED below).



| WIDTH       |                 | BATTEN THICKNESS & WEIGHT CHART (PER LI. FT.) |                   |                   |
|-------------|-----------------|---|-------------------|-------------------|
| NOMINAL     | ACTUAL SIZE     | 1" (25 mm)                                    | 1 1/2" (38 mm)    | 2" (51 mm)        |
| 2" (51 mm)  | 2" (51 mm)      | 1.14 lb / 0.52 kg                             | 1.25 lb / 0.56 kg | 1.41 lb / 0.64 kg |
| 3" (76 mm)  | 2.812" (71 mm)  | 1.29 lb / 0.59 kg                             | 1.40 lb / 0.64 kg | 1.57 lb / 0.71 kg |
| 4" (102 mm) | 3.812" (97 mm)  | 1.42 lb / 0.64 kg                             | 1.52 lb / 0.69 kg | 1.69 lb / 0.77 kg |
| 5" (127 mm) | 4.812" (122 mm) | 1.57 lb / 0.71 kg                             | 1.68 lb / 0.76 kg | 1.85 lb / 0.84 kg |
| 6" (152 mm) | 5.812" (148 mm) | 1.76 lb / 0.80 kg                             | 1.87 lb / 0.85 kg | 2.03 lb / 0.92 kg |
| 8" (203 mm) | 7.812" (198 mm) | 2.07 lb / 0.94 kg                             | 2.18 lb / 0.99 kg | 2.34 lb / 1.06 kg |

## General Specifications

**MODEL**

See chart

**LENGTH\***

16 ft | 4.8 m - 12 ft | 3.6 m - 8 ft | 2.4 m

**PRODUCT**

Aluminum Battens

**MATERIAL**

6063-T5 aluminum

**WEIGHT**

See chart

**TESTS AND CERTIFICATIONS\***

- CAN/ULC S102 - Fire Resistance
- ASTM E84 - Fire Resistance
- ASTM D3359 - Adhesion testing
- ASTM D6578 - Graffiti Resistance
- ASTM D1037 - Screw pull out strength

\* Nominal lengths. Actual lengths : 16'-0"± 0.1875" (4,8m ± 4,7mm) / 12'-0"± 0.1875" (3,6m ± 4,7mm) / 8'-0"± 0.1875" (2,4m ± 4,7mm). IMPORTANT: Always check local building regulations before installing Maibec battens.

\* VISIT MAIBEC.COM FOR FULL DETAILS

© COPYRIGHT - MAIBEC INC. FEBRUARY 2025 E2424716A.2